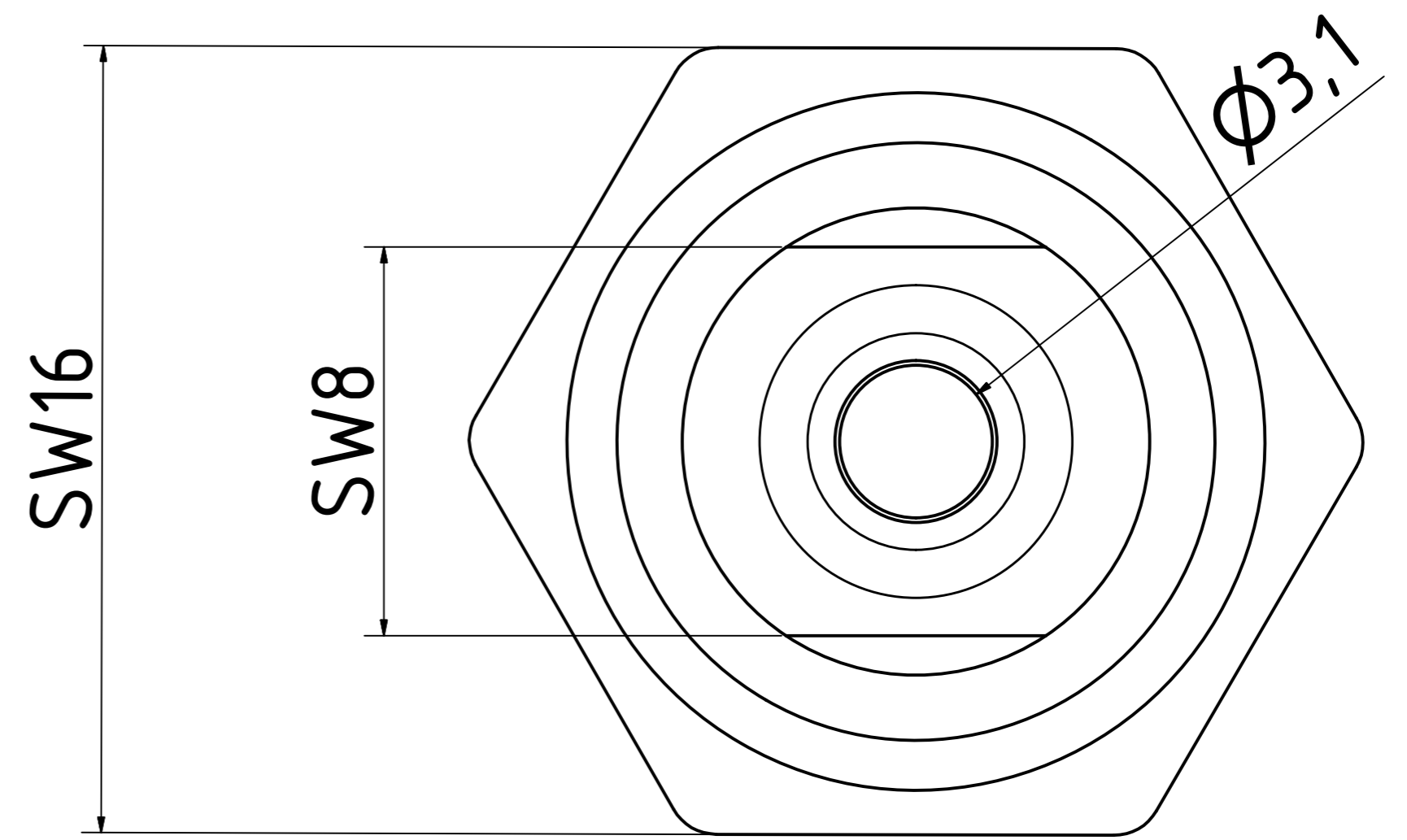
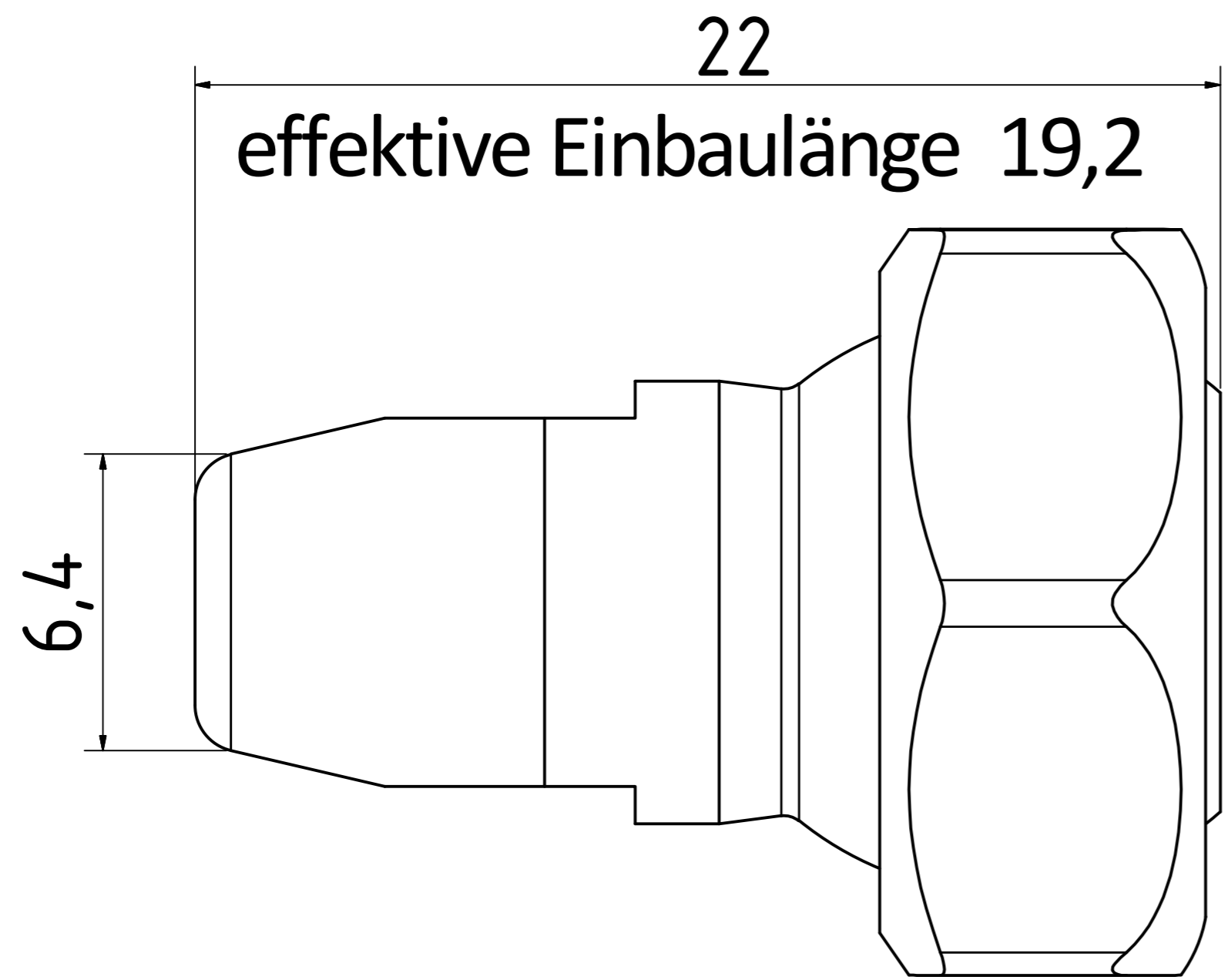


8 7 6 5 4 3 2 1

F
E
D
C
B
A



| | | | | | |
|--------|------------|-------|--------------|------------|-----------|
| | | | | | |
| | | | Datum | Name | |
| | | | Gezeichnet | 07.03.2019 | Hirt-Line |
| | | | Kontrolliert | | |
| | | | Norm | | |
| | | | | | |
| | | | | | |
| | | | | | |
| | | | | | |
| | | | | | |
| Status | Änderungen | Datum | Name | | |
| | | | | | |

Düse

KU-1-DU-32

¹A2

8 7 6 5 4 3 2 1